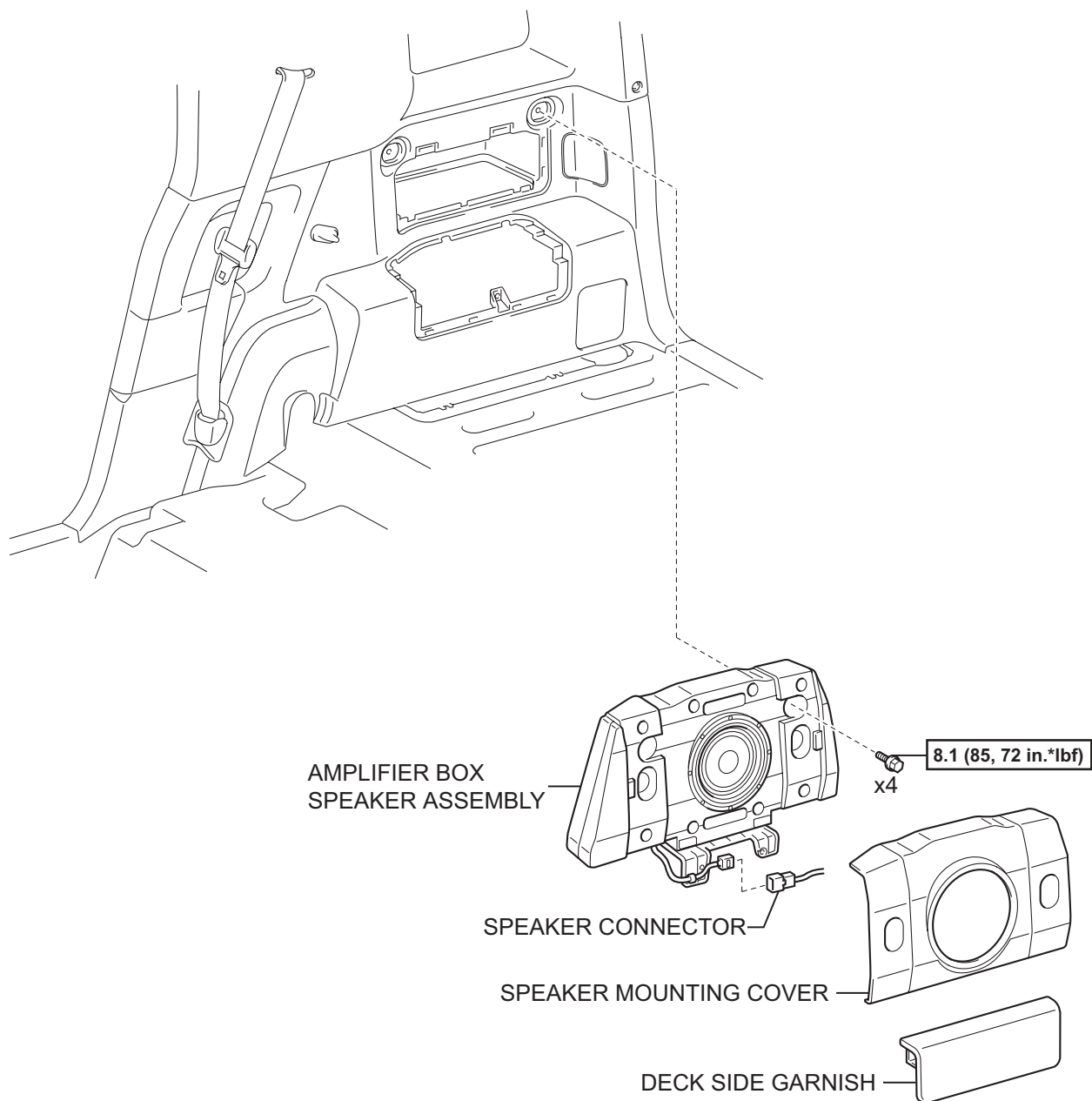


AMPLIFIER BOX SPEAKER ASSEMBLY

COMPONENTS

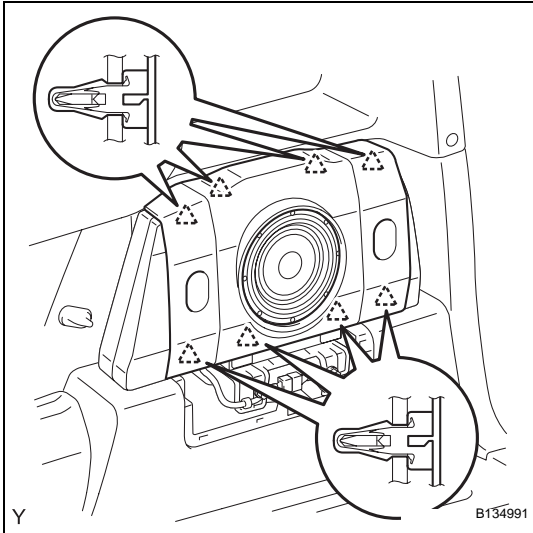


AV

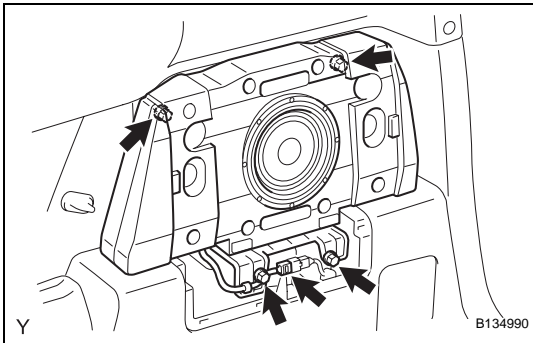
N*m (kgf*cm, ft*lbf) : Specified torque

REMOVAL

1. **DISCONNECT CABLE FROM NEGATIVE BATTERY TERMINAL**
2. **REMOVE DECK SIDE GARNISH (See page IR-18)**
3. **REMOVE SPEAKER MOUNTING COVER**
 - (a) Disengage the 8 clips and remove the speaker mounting cover.

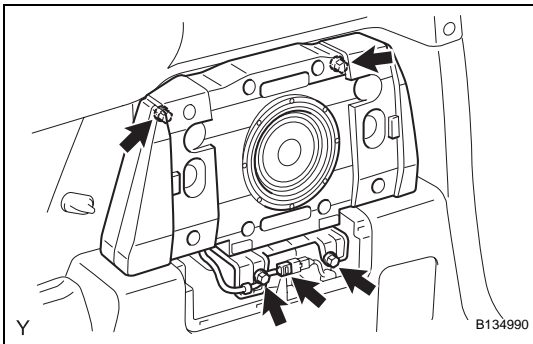


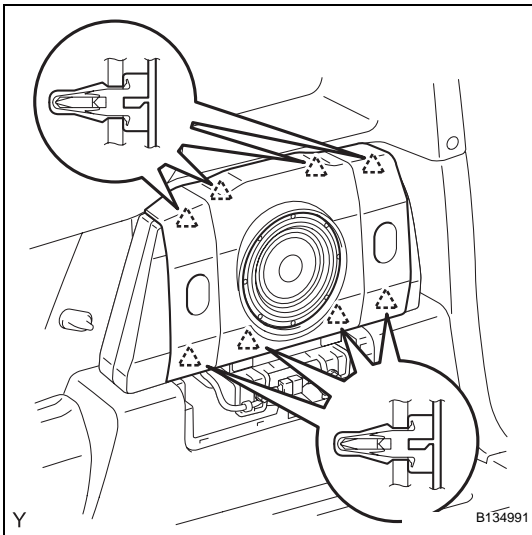
4. **REMOVE AMPLIFIER BOX SPEAKER ASSEMBLY**
 - (a) Disconnect the speaker connector.
 - (b) Remove the 4 screws and the amplifier box speaker.



INSTALLATION

1. **INSTALL AMPLIFIER BOX SPEAKER ASSEMBLY**
 - (a) Install the amplifier box speaker with the 4 screws.
Torque: 8.1 N*m (85 kgf*cm, 72 in.*lbf)
 - (b) Connect the speaker connector.





2. **INSTALL SPEAKER MOUNTING COVER**
 - (a) Engage the 8 clips and install the speaker mounting cover.
3. **INSTALL DECK SIDE GARNISH (See page [IR-41](#))**
4. **CONNECT CABLE TO NEGATIVE BATTERY TERMINAL**
Torque: 3.9 N*m (40 kgf*cm, 35 in.*lbf)