

AUDIO SYSTEM

DESCRIPTION

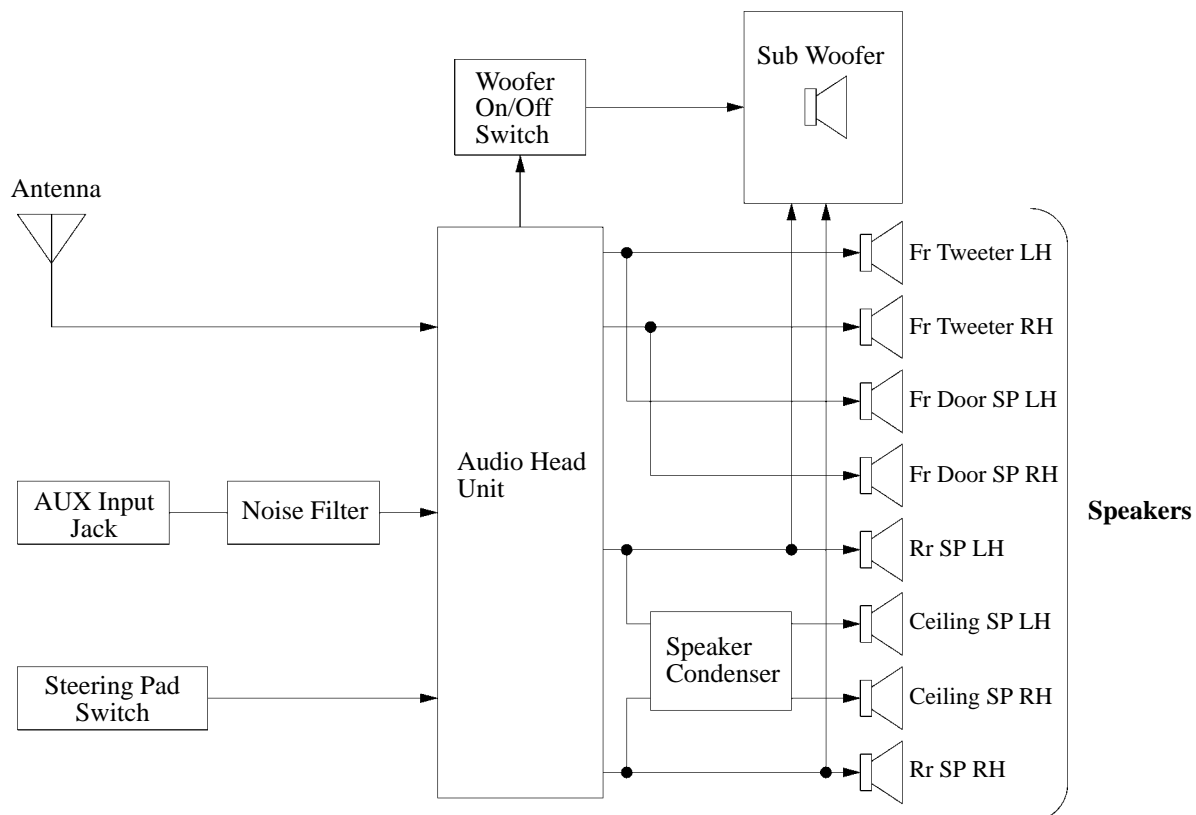
The radio with CD and 6 speakers is standard equipment. The radio, with an in-dash CD auto changer and 8 speakers is optional equipment.

The audio system has the following features:

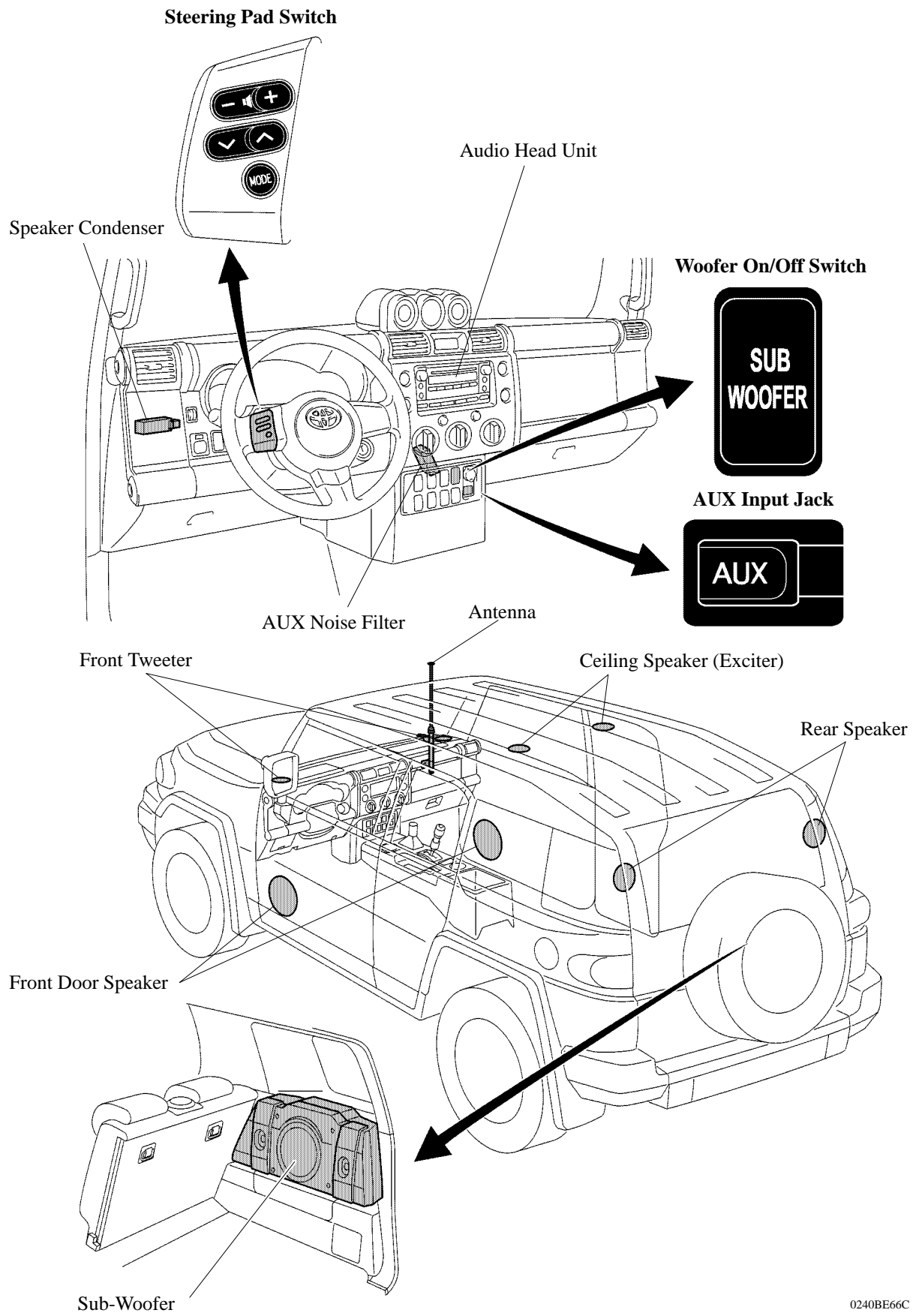
- A 8 in. (20 cm) box type woofer is available as optional equipment. The woofer function can be disabled using the woofer on/off switch.
- The ceiling speaker with exciter is creating a wide acoustic space.
- An auxiliary jack is provided on the center lower panel to allow portable audio players or other similar devices to be connected to play music through the vehicle's sound system.
- The steering pad switch is optional equipment.

Item		Grade	Hi-Grade	Lo-Grade
Specifications			AM/FM/ In-Dash CD Changer	AM/FM/CD
Speaker	Front Door	6 × 9 in. (15 × 23 cm)	20 W	20 W
	Instrument Panel	2.6 in. (6.5cm)	9 W	9 W
	Pillar	2.6 in. (6.5cm)	9 W	9 W
	Ceiling Speaker	Exciter	20 W	20 W
	Sub Woofer (Box Type)	8 in. (20 cm)	60 W	60 W

SYSTEM DIAGRAM



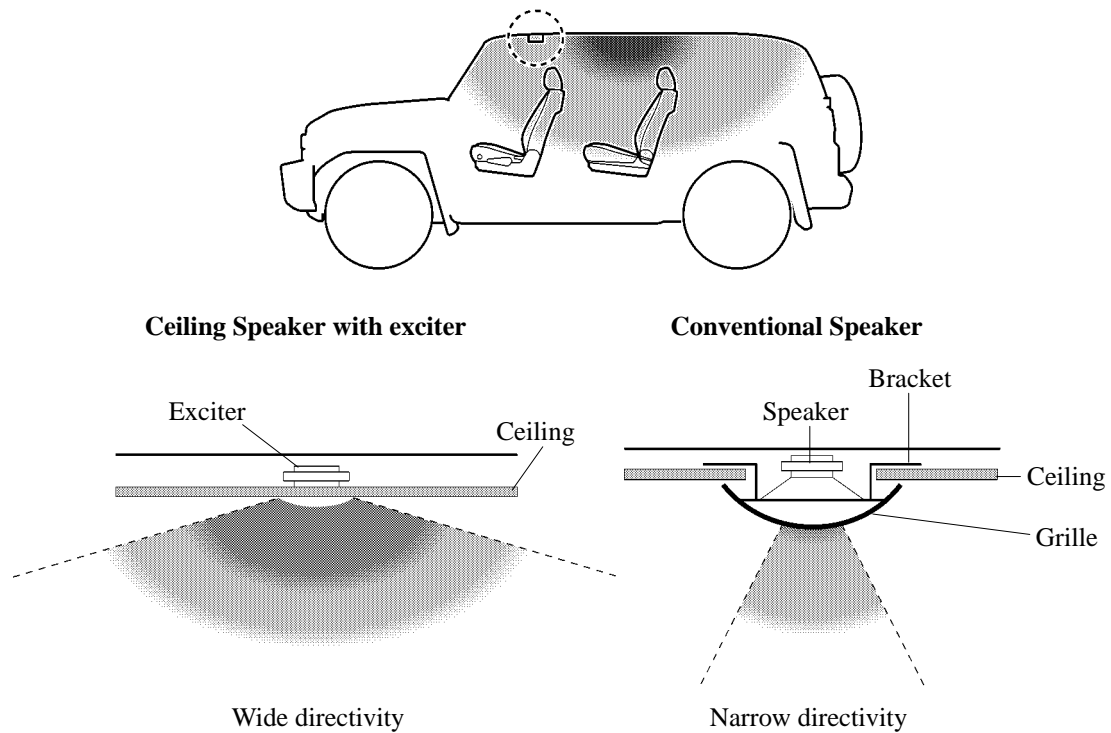
■ LAYOUT OF MAIN COMPONENTS



■ CEILING SPEAKER WITH EXCITER

- Two exciters are provided on either side of the ceiling behind the front seats.
- The sound is heard from above due to the exciters mounted on the ceiling. This helps create a better soundscape which otherwise cannot be provided only by the door speakers mounted in lower positions. This creates a wide acoustic space like a listening room.
- The ceiling speaker with exciter utilizes the ceiling (headliner) as a diaphragm. The adoption of the NXT®* flat panel speaker technology contributes to reduce the thickness of the speaker to approximately 48 % compared to conventional speakers. Furthermore, these exciters are mounted on the backside of the ceiling panel. This prevents the speakers from protruding into the cabin, providing a flat ceiling.

*: NXT®: NXT® is registered trademarks of New Transducers Limited, United Kingdom.



■ STEERING PAD SWITCH

A steering wheel with steering pad switches is optional equipment on all models. The audio control switches with a high use frequency have been located on the steering pad in the form of steering pad switches to improve the ease of use.

